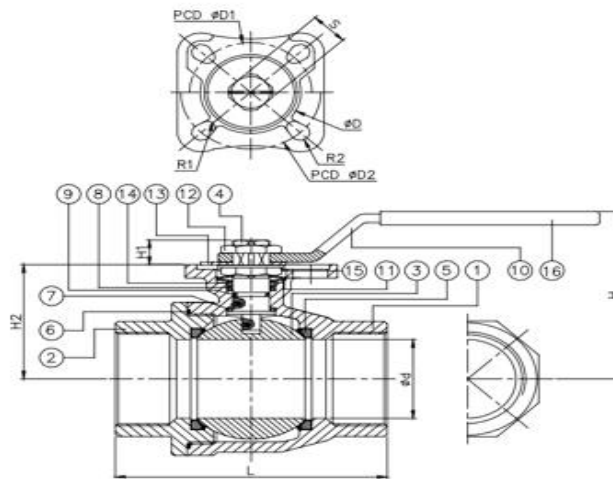


- 2 pce Body Stainless Steel full port ball valve
- NPT ends ASME B1.20.1
- 1/2"-4" 1000WOG
- Temperature -4°F - +392°F
- Investment casting
- Blow-out proof stem, live-loading design
- ISO-5211 Direct Mount

OSB5912



ITEM	PARTS	MATERIAL	
1	BODY	ASTM A351-CF8M	ASTM A216-WCB
2	CAP		
3	BALL	ASTM A351-CF8M	
4	STEM	ASTM A276-316	
5	SEAT	PTFE / RTFE	
6	SEAL	PTFE	
7	THRUST WASHER		
8	PACKING	VITON	
9	O-RING		
10	HANDLE	STAINLESS STEEL	
11	BELLEVILLE WASHER	AISI 301	
12	STEN NUT	AISI 304	
13	LOCKING DEVICE		
14	GLAND RING		
15	LOCKING WASHER	PVC	
16	HANDLE SLEEVE		



OC07956.2C

NPS	d	L	H	H1	H2	s	D	D1	D2	R1	R2	ISO 5211	Torque (in-lb)	Weight (lb)
1/4"	0.31	2.95	2.52	0.31	1.54	0.35	1.22	1.42	1.65	0.11	0.11	F03/F04	31.9	1.1
3/8"	0.39	2.95	2.52	0.31	1.54	0.35	1.22	1.42	1.65	0.11	0.11	F03/F04	31.9	1.1
1/2"	0.59	2.95	2.52	0.31	1.54	0.35	1.22	1.42	1.65	0.11	0.11	F03/F04	31.9	1.1
3/4"	0.79	3.15	2.76	0.31	1.73	0.35	1.22	1.42	1.65	0.11	0.11	F03/F04	57.5	1.3
1"	0.98	3.56	2.91	0.35	1.87	0.43	1.4	1.65	1.97	0.11	0.14	F04/F05	84.1	2.2
1-1/4"	1.26	4.33	3.15	0.47	2.09	0.43	1.4	1.65	1.97	0.11	0.14	F04/F05	97.4	3.3
1-1/2"	1.5	4.72	3.86	0.51	2.54	0.55	2.2	1.97	2.76	0.14	0.18	F05/F07	115.1	5.1
2"	1.97	5.51	4.21	0.53	2.87	0.55	2.2	1.97	2.76	0.14	0.18	F05/F07	460.3	7.9

OS&B® Industrial

13-495 Woodward Ave., Hamilton, Ontario, Canada L8H 6N6

T. 1.905.661.0976 F. 1.905.667.1842

All rights reserved. OS&B® Industrial reserves the right to change product specifications and material or discontinue models without notice.

www.osbindustrial.ca